



**\*\*\*PLEASE READ THE ENTIRE PLAN BEFORE STARTING THE PROJECT\*\*\***

This PDF document and its contents cannot be sold or used without written permission from ZING WOODWORKS LLC  
Plans, wording and graphics Copyright owned by ZING WOODWORKS LLC



DRAWN: MN	DATE 11/15/2023	ZING WOODWORKS LLC	
CHECKED: N/A		<b>CEDAR BIRDHOUSE-2 LEVEL</b>	
QA N/A		SIZE D	DWG NO
UNLESS OTHERWISE SPECIFIED: DIMENSIONS ARE IN INCHES TOLERANCES: ± 0.0625 in		SCALE 1 / 1	TITLE PAGE
		PAGE 1	REV 0 <b>A1</b>

## COPYRIGHT

This work and any wording or graphics found in these woodworking plans are for personally use only.  
This PDF document and its contents cannot be sold or used without written permission from Zing Woodwork LLC

Plans, wording and graphics Copyright owned by Zing Woodworks LLC

## SAFETY WARNING

Woodworking machinery can cause injury from improper operation or from poor maintenance.  
Individual machines must be evaluated for specific operating hazards.

Make sure you use hand, eye and hearing protection when using power equipment & always practice safety.

Zing Woodworks LLC is not responsible for an injuries or harm caused by improper power tool use  
or any injuries related to building this project.

## TOOLS NEEDED



MITER SAW



SANDER



JIG SAW



18 GA NAILER

## MATERIALS NEEDED



**STANDARD LUMBER**  
(1) CEDAR FENCE PICKET  
CEDAR ROOF SHINGLES



WOOD GLUE



1" - 18 GA NAILS



1" - 18 GA NAILS



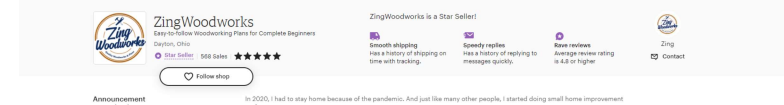
(2) SMALL HINGES  
(1) SMALL BOX LATCH

**NOTES:**  
MOST CEDAR FENCE PICKETS HAVE  
PRETTY ROUGH SURFACES. YOU CAN  
SAND OR PLANE THE SURFACES TO  
TO REMOVE ROUGHNESS TO MAKE  
THIS BUILD EASIER.

This PDF document and its contents cannot be sold or used without written permission from ZING WOODWORKS LLC  
Plans, wording and graphics Copyright owned by ZING WOODWORKS LLC

## **VISIT OUR ZING WOODWORKS ETSY STORE FOR MANY MORE WOODWORKING PLANS**

[https://www.etsy.com/shop/ZingWoodworks?ref=simple-shop-header-name&listing\\_id=1365901170](https://www.etsy.com/shop/ZingWoodworks?ref=simple-shop-header-name&listing_id=1365901170)

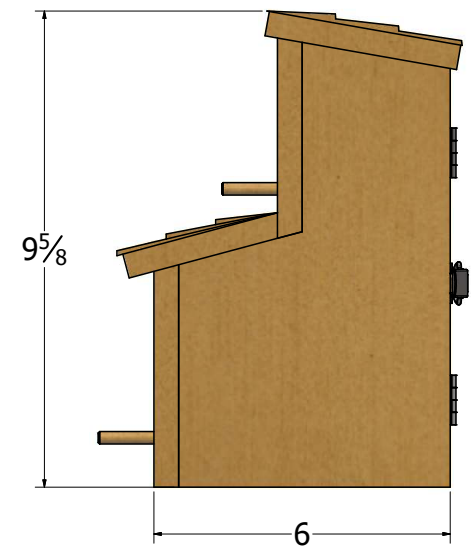
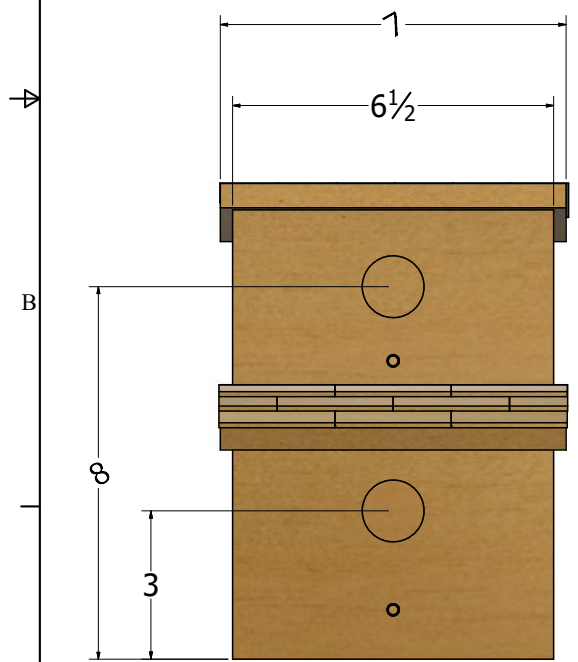
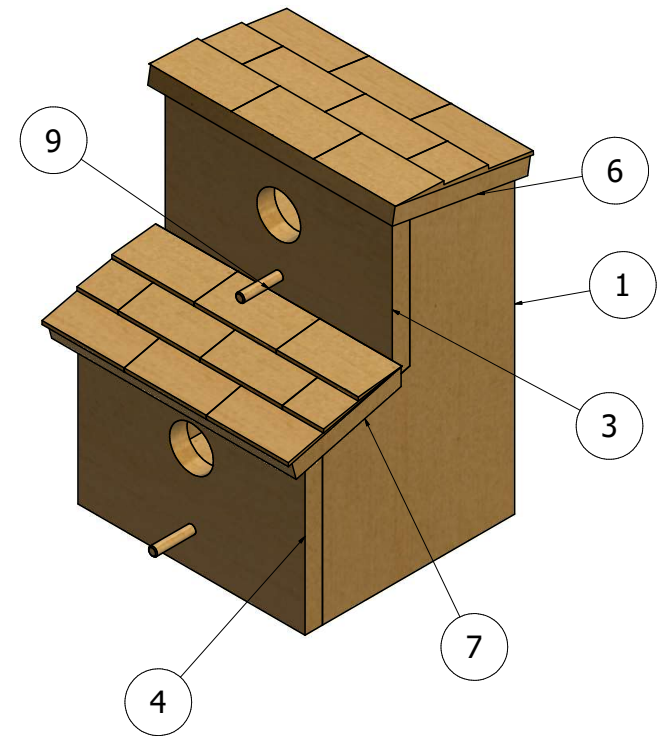
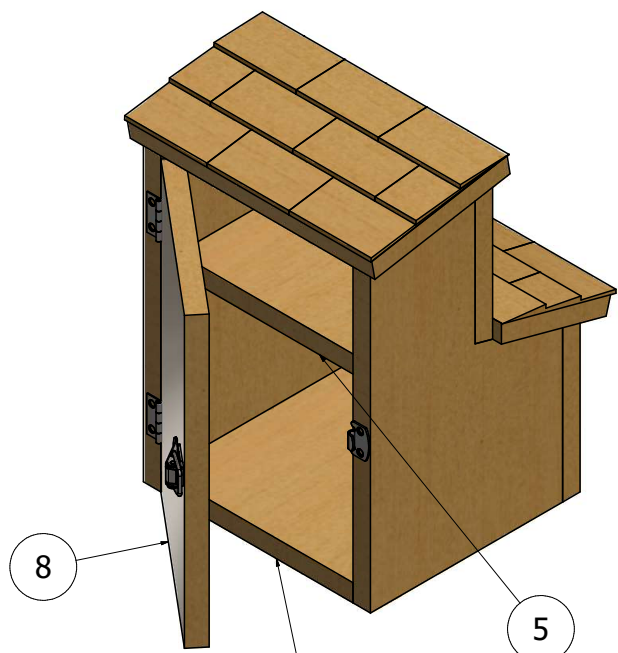


## **PLEASE FOLLOW MY YOUTUBE CHANEL FOR MORE PROJECT VIDEOS**



DRAWN: MN	DATE 11/15/2023	ZING WOODWORKS LLC	
CHECKED: N/A		<b>CEDAR BIRDHOUSE-2 LEVEL</b>	
QA N/A		SIZE D	DWG NO B-NOTES PAGE
UNLESS OTHERWISE SPECIFIED: DIMENSIONS ARE IN INCHES TOLERANCES: ± 0.0625 in		SCALE	PAGE <b>B1</b>
			REV 0

PARTS LIST			
ITEM	QTY	PART NUMBER	MATERIAL
1	2	SIDE	CEDAR
2	1	BOTTOM	CEDAR
3	1	FRONT-UPPER	CEDAR
4	1	FRONT-LOWER	CEDAR
5	1	MIDDLE DIVIDER	CEDAR
6	1	ROOF-UPPER	CEDAR
7	1	ROOF-LOWER	CEDAR
8	1	BACK DOOR	CEDAR
9	2	FOOTHOLD	CEDAR

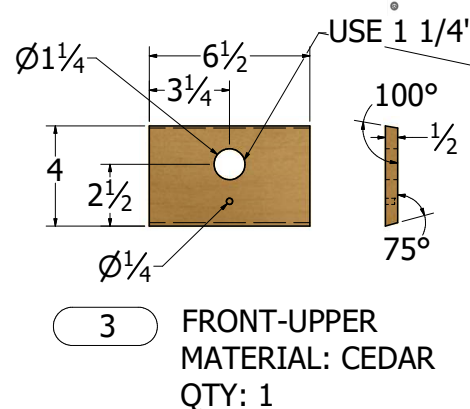
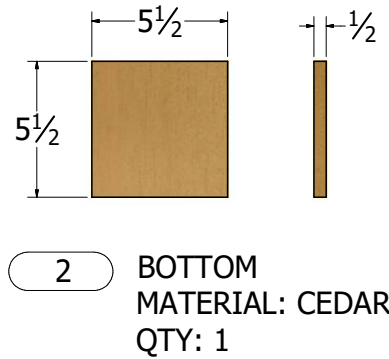
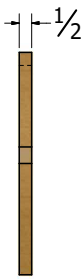
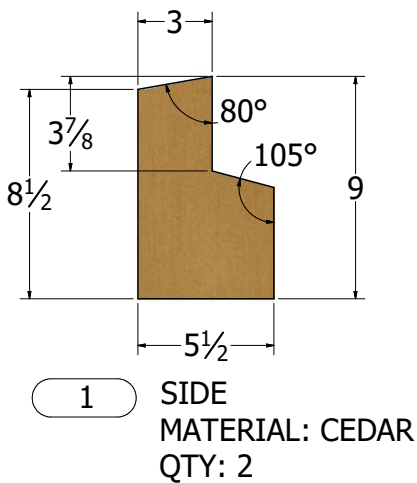


This PDF document and its contents cannot be sold or used without written permission from ZING WOODWORKS LLC  
 Plans, wording and graphics Copyright owned by ZING WOODWORKS LLC

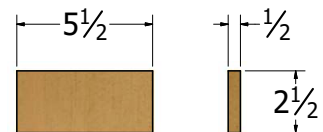
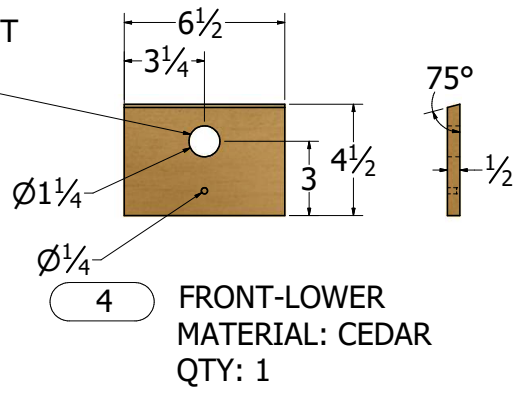
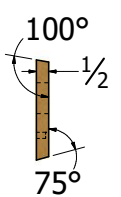


DRAWN: MN	DATE 11/15/2023	ZING WOODWORKS LLC	
CHECKED: N/A		<b>CEDAR BIRDHOUSE-2 LEVEL</b>	
QA N/A		SIZE D	DWG NO TOTAL ASSEMBLY
UNLESS OTHERWISE SPECIFIED: DIMENSIONS ARE IN INCHES TOLERANCES: ± 0.0625 in		SCALE 1/1.5	PAGE C1
			REV 0

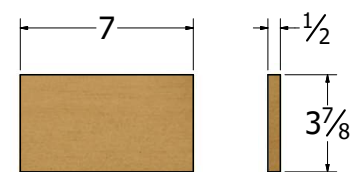
# CUT LIST



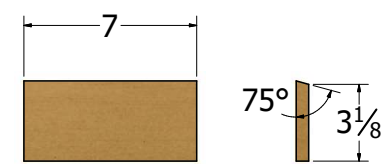
USE 1 1/4" DRILL BIT



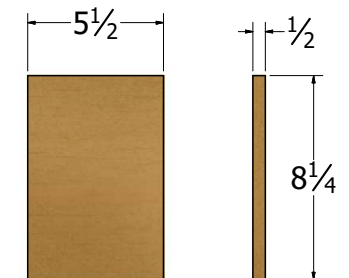
**5** MIDDLE DIVIDER  
MATERIAL: CEDAR  
QTY: 1



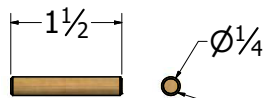
**6** ROOF-UPPER  
MATERIAL: CEDAR  
QTY: 1



**7** ROOF-LOWER  
MATERIAL: CEDAR  
QTY: 1



**8** BACK DOOR  
MATERIAL: CEDAR  
QTY: 1



**9** FOOTHOLD  
MATERIAL: CEDAR  
QTY: 2



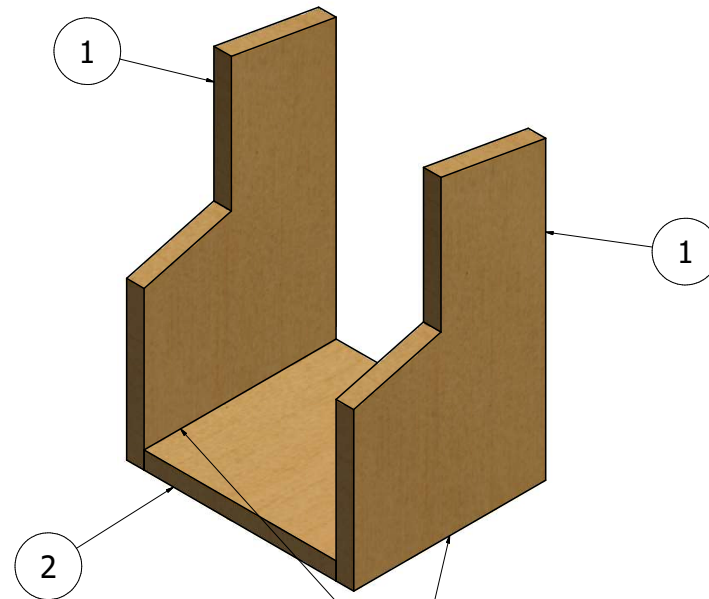
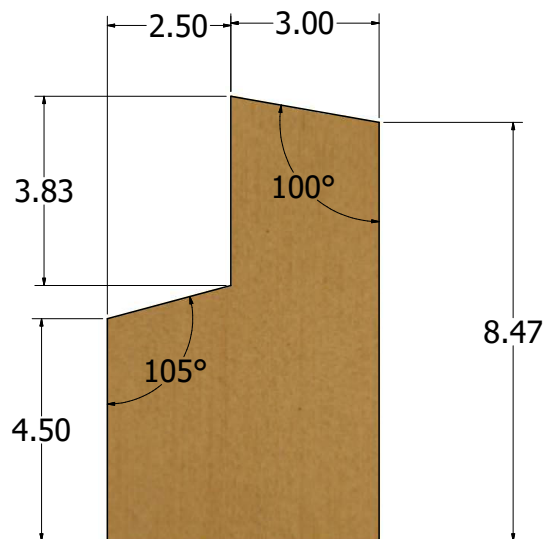
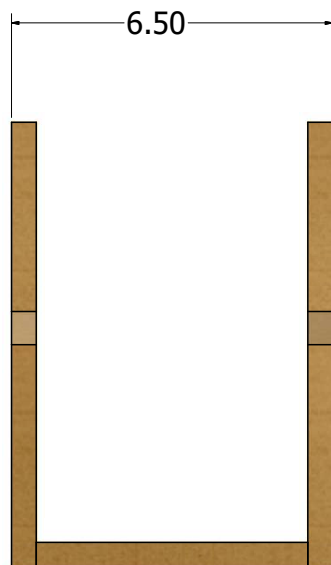
YOU CAN USE 1/4 DOWEL PINS

This PDF document and its contents cannot be sold or used without written permission from ZING WOODWORKS LLC  
Plans, wording and graphics Copyright owned by ZING WOODWORKS LLC



DRAWN: MN	DATE 11/15/2023	ZING WOODWORKS LLC	
CHECKED: N/A		<b>CEDAR BIRDHOUSE-2 LEVEL</b>	
QA N/A		SIZE D	DWG NO TOTAL ASSEMBLY
UNLESS OTHERWISE SPECIFIED: DIMENSIONS ARE IN INCHES TOLERANCES: ± 0.0625 in		SCALE 1 / 3	PAGE C2
			REV 0

# STEP 1: ASSEMBLE THE SIDES AND BOTTOM



USE WOOD GLUE & 1" Ga BRAD NAILS TO ATTACH



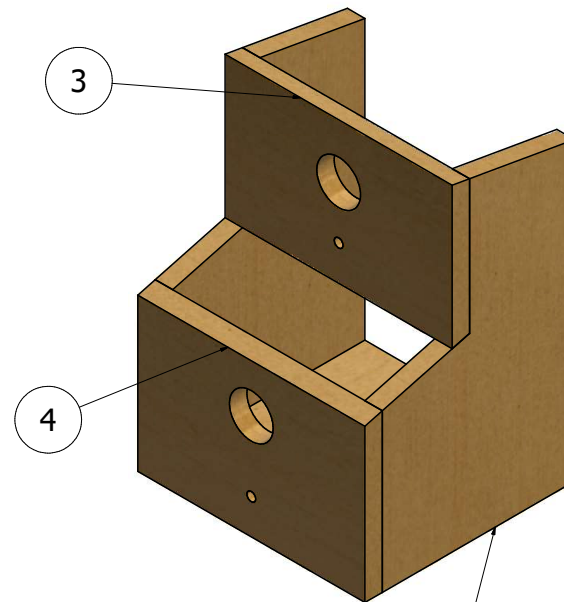
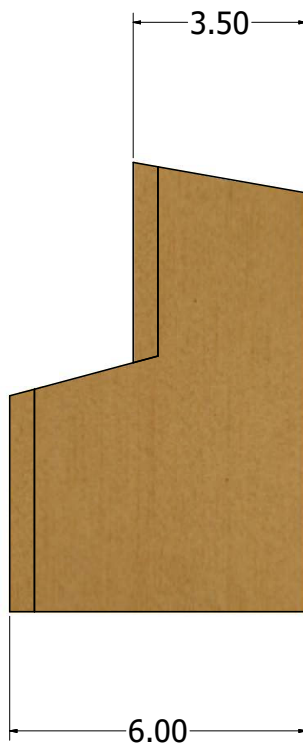
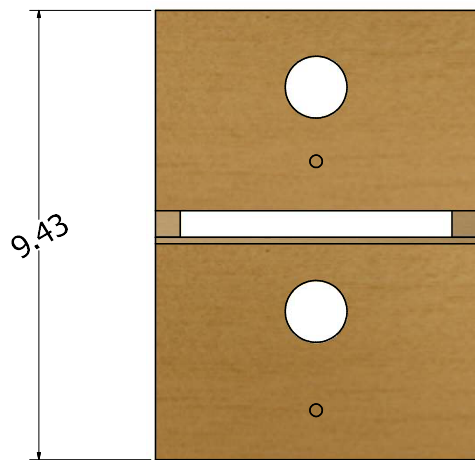
This PDF document and its contents cannot be sold or used without written permission from ZING WOODWORKS LLC  
Plans, wording and graphics Copyright owned by ZING WOODWORKS LLC



DRAWN: MN	DATE 11/15/2023
CHECKED: N/A	
QA N/A	
UNLESS OTHERWISE SPECIFIED: DIMENSIONS ARE IN INCHES TOLERANCES: ± 0.0625 in	

ZING WOODWORKS LLC			
<b>CEDAR BIRDHOUSE-2 LEVEL</b>			
SIZE D	DWG NO BUILDING STEPS	PAGE D1	REV 0

# STEP 2: ATTACH FRONT BOARDS



USE WOOD GLUE & 1" Ga BRAD NAILS TO ATTACH

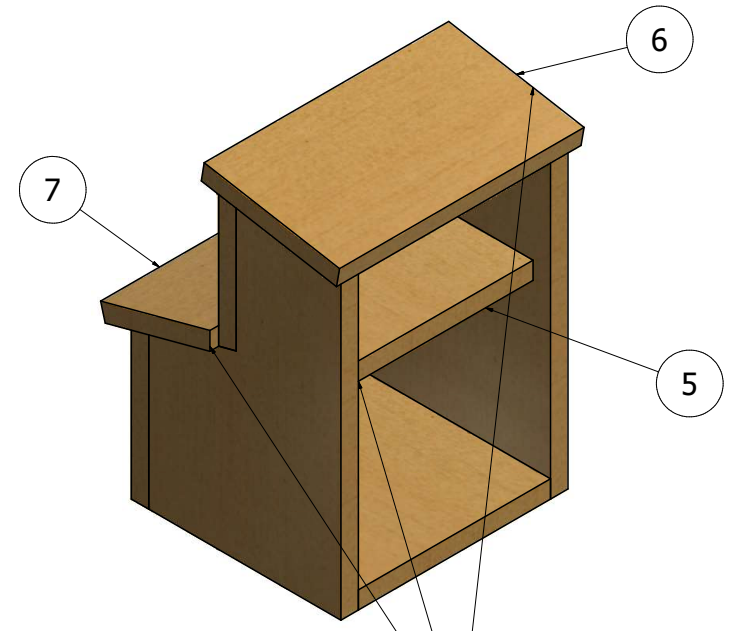
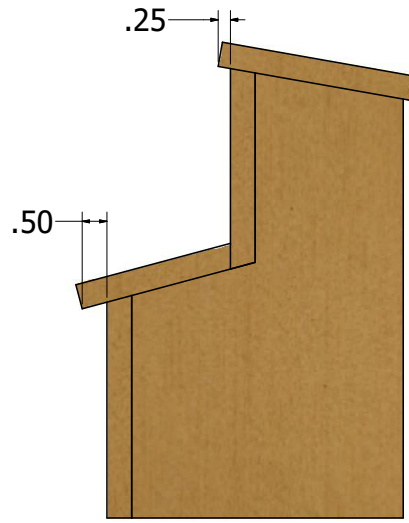
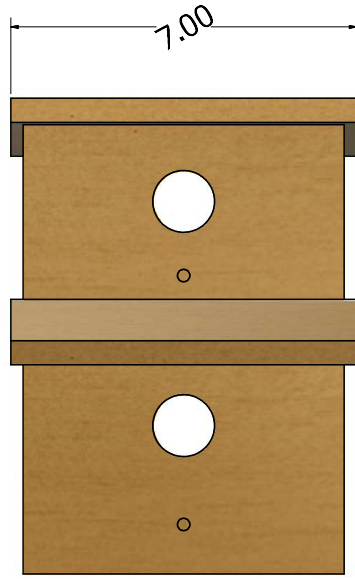


This PDF document and its contents cannot be sold or used without written permission from ZING WOODWORKS LLC  
Plans, wording and graphics Copyright owned by ZING WOODWORKS LLC



DRAWN: MN	DATE 11/15/2023	ZING WOODWORKS LLC	
CHECKED: N/A		<b>CEDAR BIRDHOUSE-2 LEVEL</b>	
QA N/A		SIZE D	DWG NO BUILDING STEPS
UNLESS OTHERWISE SPECIFIED: DIMENSIONS ARE IN INCHES TOLERANCES: ± 0.0625 in		SCALE	PAGE D2
			REV 0

# STEP 3: ATTACH ROOF & MIDDLE BOARDS



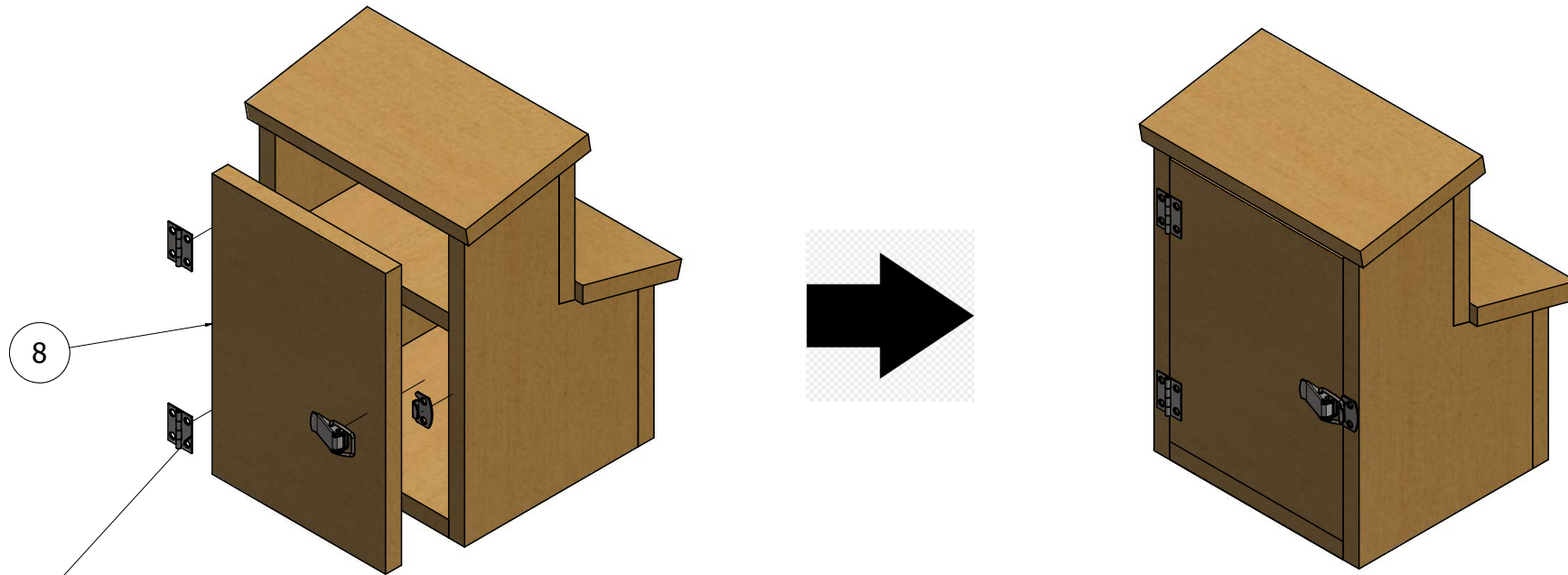
USE WOOD GLUE & 1" Ga BRAD NAILS TO ATTACH

This PDF document and its contents cannot be sold or used without written permission from ZING WOODWORKS LLC  
Plans, wording and graphics Copyright owned by ZING WOODWORKS LLC



DRAWN: MN	DATE 11/15/2023	ZING WOODWORKS LLC	
CHECKED: N/A		<b>CEDAR BIRDHOUSE-2 LEVEL</b>	
QA N/A		SIZE D	DWG NO BUILDING STEPS
UNLESS OTHERWISE SPECIFIED: DIMENSIONS ARE IN INCHES TOLERANCES: ± 0.0625 in		PAGE D3	REV 0

# STEP 4: ATTACH BACK DOOR USING HINGES & LATCH



YOU CAN BUY SMALL BOX HINGES & LATCHES FROM AMAZON

Wobe 60pcs Small Box Hinges and 30 Sets Antique Right Latch Hook Hasp with 360 Pcs Replacement Screws for Wood Jewelry Box Hasp Catch Decoration - Bronze Tone

Brand: Wobe  
4.3 ★★★★★ - 206 ratings

Best Seller

\$9.98

Prime Two-Day  
FREE Returns

Best price

Pay \$9.98 \$0.00 after using available Amazon Visa rewards points.

Size: Small-30 Set

Material: Bronze, Wood  
Brand: Wobe  
Product Dimensions: 1"L x 0.7"W  
Finish Type: Brass Plating, Bronze  
Mounting Type: Face Mount



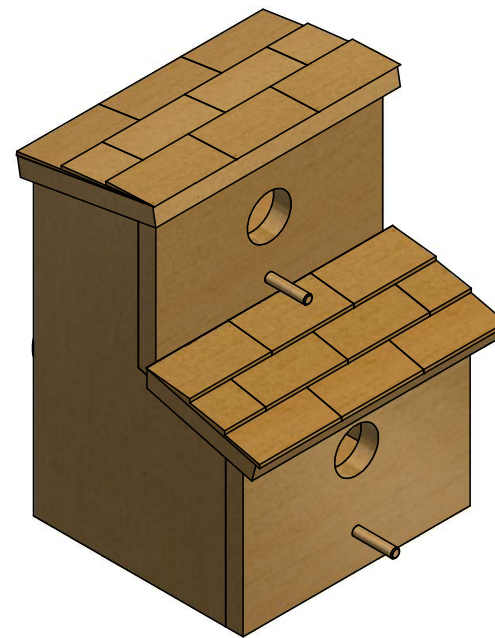
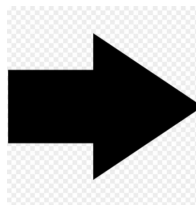
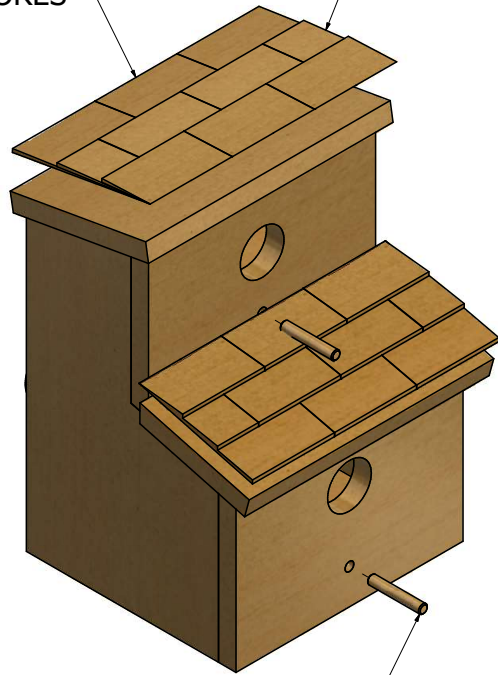
DRAWN: MN	DATE: 11/15/2023	ZING WOODWORKS LLC	
CHECKED: N/A		<b>CEDAR BIRDHOUSE-2 LEVEL</b>	
QA: N/A		SIZE: D	DWG NO: BUILDING STEPS
UNLESS OTHERWISE SPECIFIED: DIMENSIONS ARE IN INCHES TOLERANCES: ± 0.0625 in		SCALE:	PAGE: D4
			REV: 0

This PDF document and its contents cannot be sold or used without written permission from ZING WOODWORKS LLC  
Plans, wording and graphics Copyright owned by ZING WOODWORKS LLC

# STEP 5: ATTACH CEDAR SHINGLES & FOOTHOLD

  
CEDAR ROOF SHINGLES  
FROM BIG BOX STORES

USE WOOD GLUE &  
1" Ga BRAD NAILS TO ATTACH



USE WOOD GLUE TO ATTACH  
1/4" DOWEL PIN

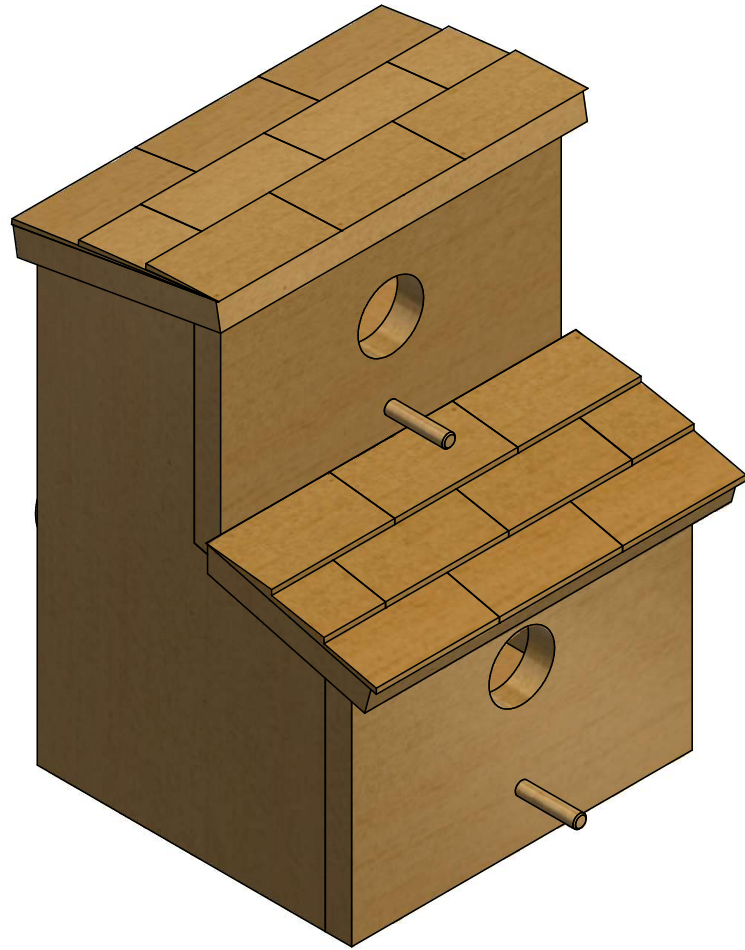


This PDF document and its contents cannot be sold or used without written permission from ZING WOODWORKS LLC  
Plans, wording and graphics Copyright owned by ZING WOODWORKS LLC



DRAWN: MN	DATE 11/15/2023	ZING WOODWORKS LLC	
CHECKED: N/A		<b>CEDAR BIRDHOUSE-2 LEVEL</b>	
QA N/A		SIZE D	DWG NO BUILDING STEPS
UNLESS OTHERWISE SPECIFIED: DIMENSIONS ARE IN INCHES TOLERANCES: ± 0.0625 in		SCALE	PAGE D5 REV 0

FINISHED BIRDHOUSE! PAINT WITH THE COLOR OF YOUR CHOICE



This PDF document and its contents cannot be sold or used without written permission from ZING WOODWORKS LLC  
Plans, wording and graphics Copyright owned by ZING WOODWORKS LLC



DRAWN: MN	DATE 11/15/2023	ZING WOODWORKS LLC	
CHECKED: N/A		<b>CEDAR BIRDHOUSE-2 LEVEL</b>	
QA N/A		SIZE D	DWG NO BUILDING STEPS
UNLESS OTHERWISE SPECIFIED: DIMENSIONS ARE IN INCHES TOLERANCES: ± 0.0625 in		SCALE	PAGE D6
			REV 0